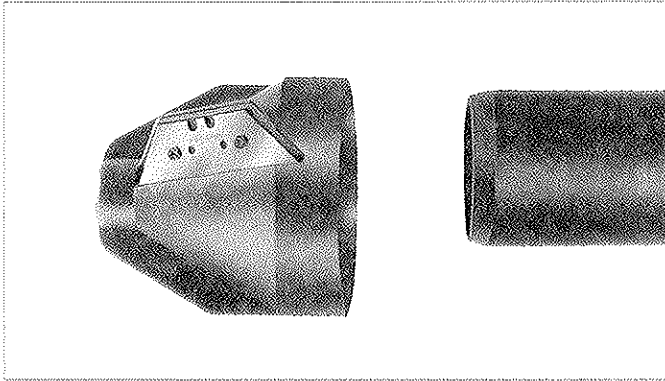


Plassim Compression Fitting

Instructions for Mounting the Fitting



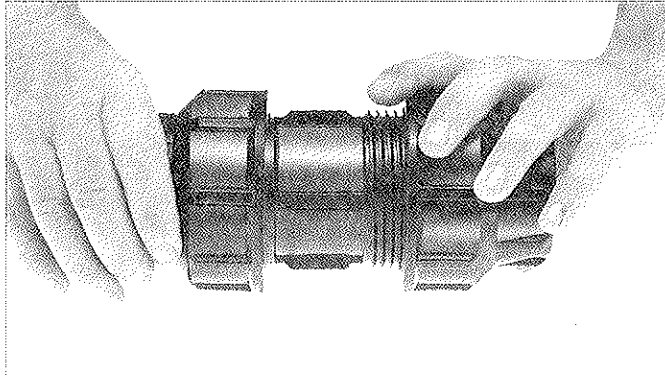
1

Bevel the pipe ends.
Ask your supplier for
Plassim's Chamfering tool
(a knife or file can be also used for that purpose).



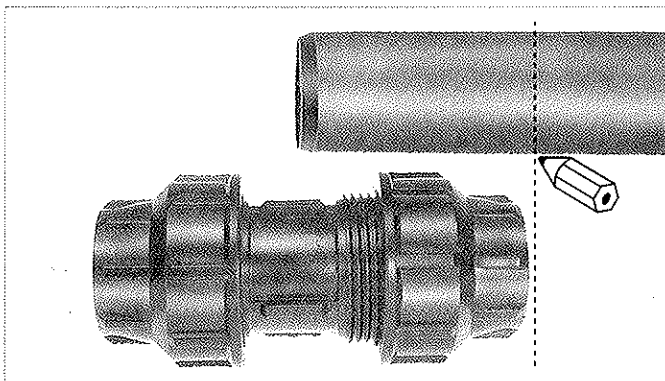
2

For easier insertion,
wet the end of the pipe
with water or lubricating paste.



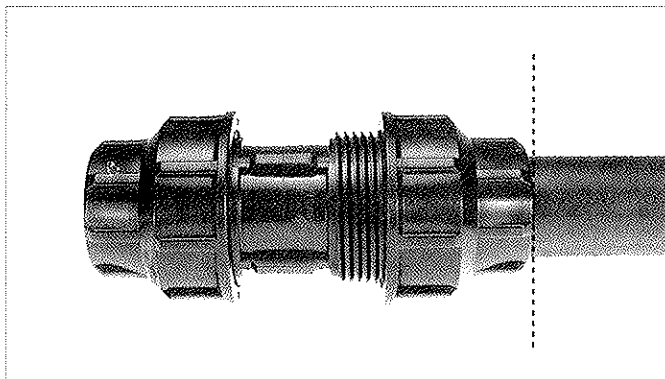
3

Unscrew the nut almost to
the end of the thread,
but **do not remove the nut completely**.



4

Mark on the pipe the insertion depth.



5

Push the pipe into the fitting,
until it reaches the internal edge stopper,
beyond the O-ring
(the mark on the pipe should reach the nut).

6

Tighten the nut manually.